

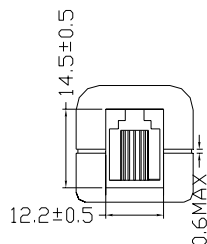
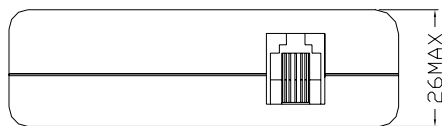
Features

- POTS 3dB, Cutoff frequency: 7kHz
- POTS pass ripple (20Hz to 4kHz) +/- 0.5dB
- Attenuation: 30-300kHz > 65dB, 30-1104kHz > 55dB
- DC Resistance each line: 12.5 Ohms, Max.
- Insertion loss (200Hz to 4kHz): 0.5dB Max.
- Return loss: 300-500Hz > 16dB, 500-2000Hz > 18dB, 2000-2400Hz > 18dB
- Longitudinal balance (CMRR): 200Hz-1kHz: 58dB Min. 3kHz: 53dB Min.
- POTS loop current: 100mA DC
- Envelope delay distortion (0.2 to 4.0kHz): 100usec. Max.
- Impedance (300Hz to 3.4kHz): 600 Ohms
- Hi-Pot test: Tip to Ring, DC250V/1mA 2 Sec.
- Built in lightning arrestor

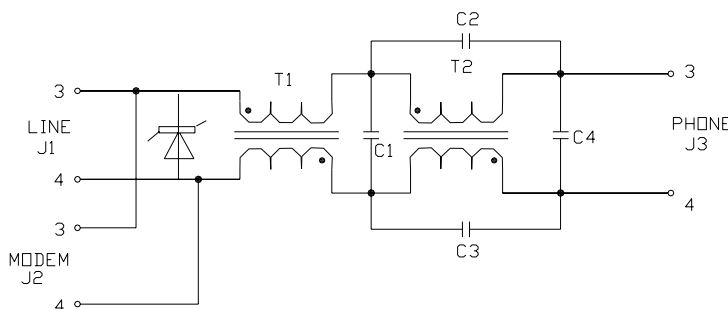


Part No.: WT- 02A / Model No.: ASP- 6002A

Mechanical



Schematic



For More Information :