

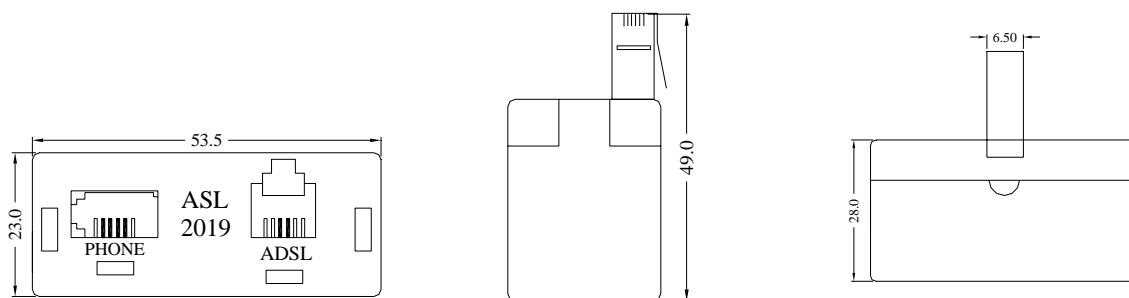
Features

- POTS Insertion Loss at 1KHz: -1.0dB Max
- POTS Insertion Loss from 200Hz to 4KHz: -1.0
- ADSL Insertion Loss: 32-60 KHz, -29dB Min.; 60-200KHz,-45dB Min.; 200-1.1MKHz, -55 dB Min.
- POTS Return Loss: 100Hz to 2KHz, -18 dB Min; 2KHz to 3.4KHz, -14 dB Min.
- Longitudinal Balance : 100Hz to 3.4KHz -14 dB Min.
- POTS Group Delay : 100Hz to 4KHz 250uS Max.
- DC Current: 80mA Min.
- POTS Impedance: from 100Hz to 4KHz, 320 Ohm +1050 Ohm/230nF
- Total DC Resistance : 12. 5 Ohm Max.

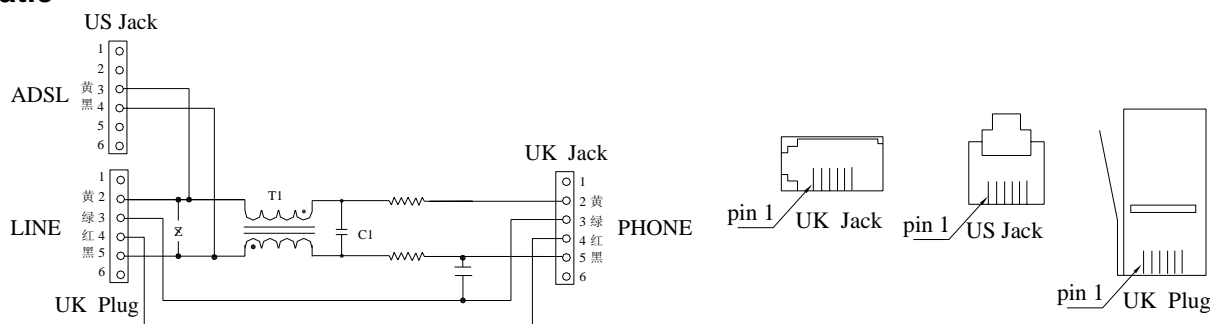


Part No.: WT- 03 / Model No.: ASP- 2019

Mechanical



Schematic



For More Information :