

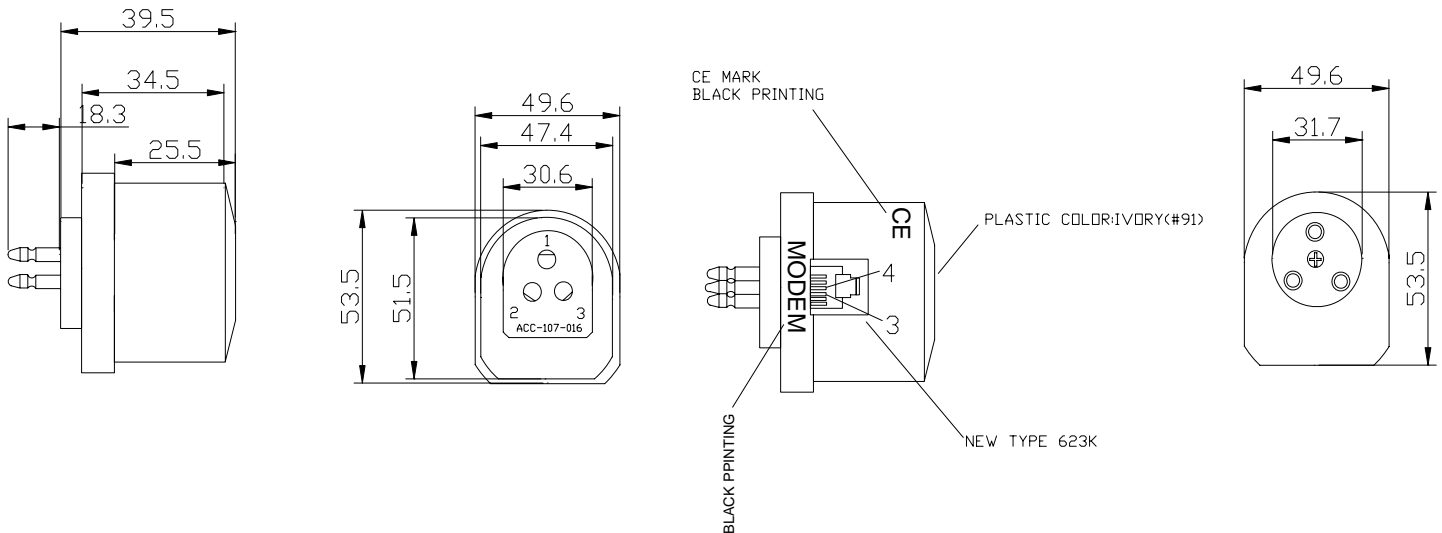
Features

- Return loss reference Impedance $270 \Omega // (750 + 150Nf)$
- Insertion Loss @1kHz <1dB
- Insertion Loss distortion 300Hz-3400Hz, $\pm 1dB_{ReL}$ 1kHz value
- Return Loss 300Hz-3400Hz >15Db ,3400Hz-10kHz >8dB.
- Group Delay Distortion@300-3400KHZ<50us
- DC Resistance <50 Ω DC Current Range 18mA –120MA
- Insulating resistance >10M Ω
- High frequency insertion loss 30KHZ-100KHZ>29dB,
100KHZ-300KHZ >25dB,300KHZ-1104KHZ >40dB
- Ringing Frequency Voltage drop<2.0Vrms ,Impedance 25Hz >40k Ω
- Used for Italy



Part No.: WT- 08

Mechanical



Schematic

